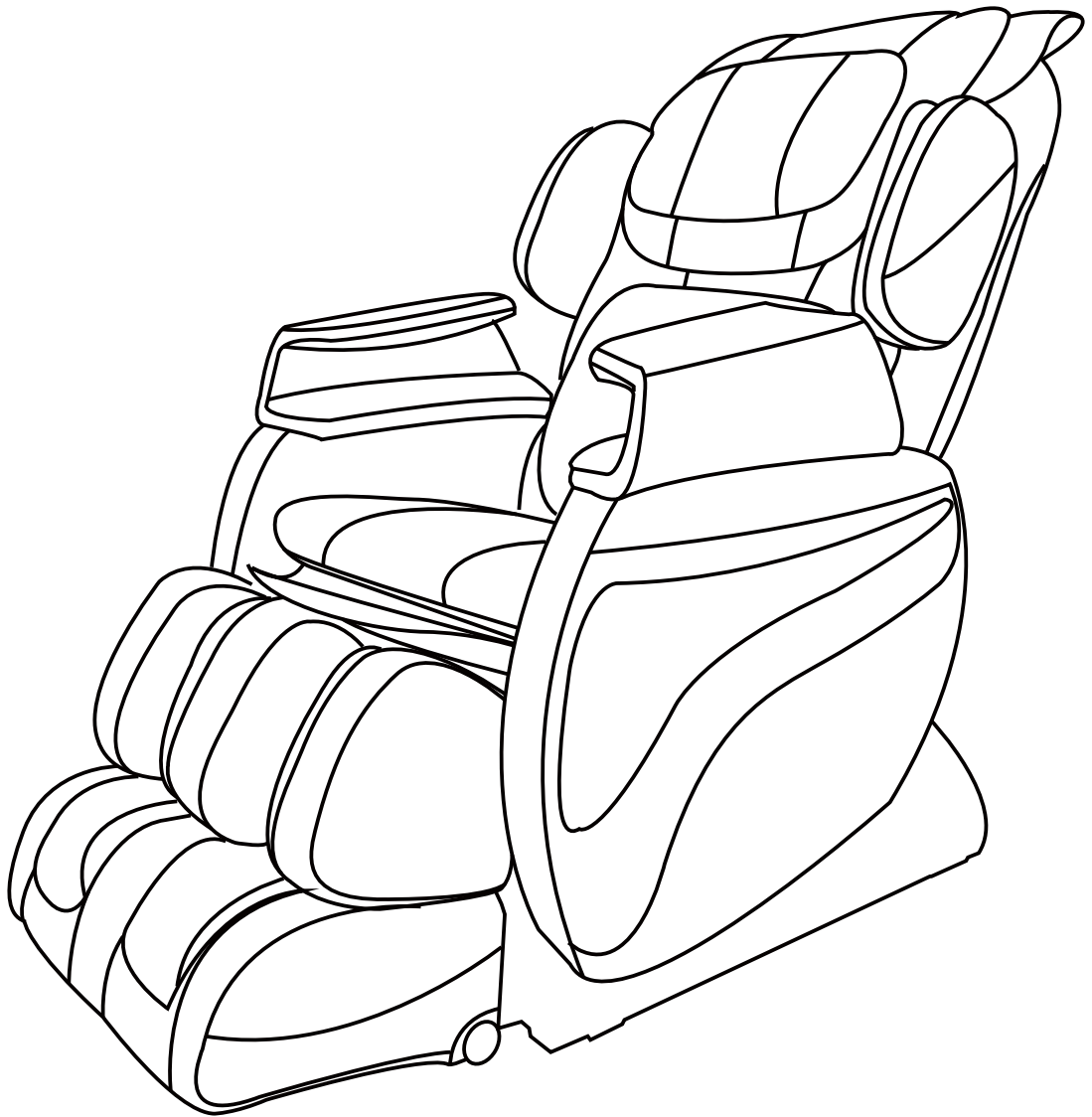


Titan



Instruction Manual TI-8700

Thank you for purchasing TI-8700 Massage Chair.
Before enjoying this chair, please read this manual for the correct methods of usage.
This manual should be kept available for future reference.

Table of Contents

Safety Precautions	2-3
Chair Components	4
Chair Installation	5-10
Function Descriptions	11-17
Product Specifications	18
Troubleshooting	19
Care & Maintenance	20

01 SAFETY PRECAUTIONS

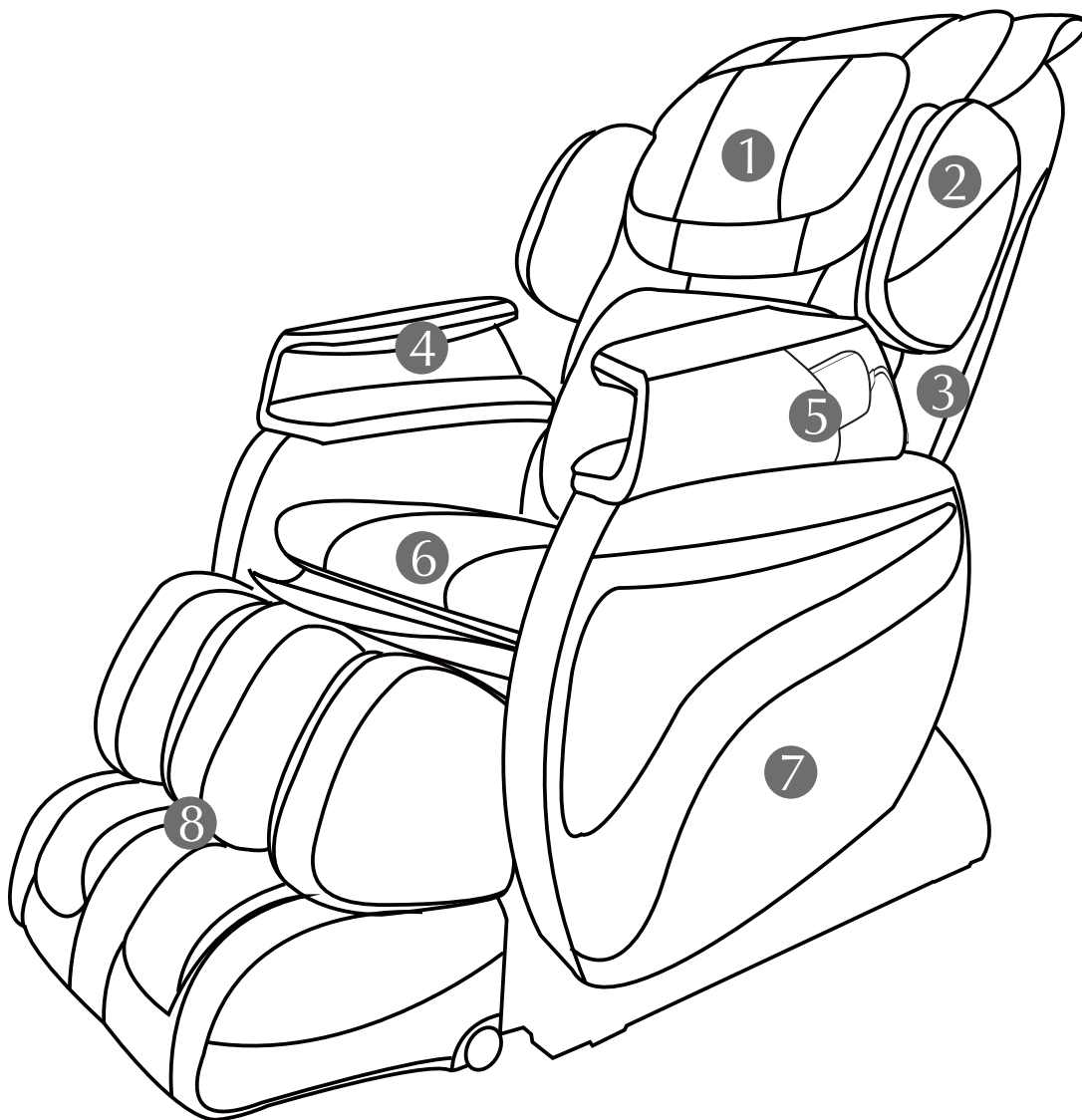
When using the massage chair, basic precaution should always be followed to reduce the risk of electric shock, burns, fire, or injury to persons.

Read thoroughly the following details before using.

1. People with the following conditions should consult their physician before using the product:
 - Who uses a medical electronic device, which is embedded in the body, such as a pacemaker.
 - Who suffers from heart disease.
 - Who suffers from backbone disease.
 - Who is suffering from bone fragility, especially on the backbone.
 - After surgery.
 - Who is pregnant or in a period of monthly illness.
 - Who suffers from malignant tumors.
 - Who is suffering from osteoporosis.
 - Who has problems with blood circulation.
 - Who is suffering from skin disease or affection.
 - Who is undergoing medical treatment or feels some physical abnormality previously or is being treated now.
 - Who has some abnormality or deformity of limbs or backbone.
 - Who has backbone problems or injuries due to illness or accident.
2. Do not let water enter the product or splashed on the surface of the product.
3. Water contact with electricity is dangerous. Do not leave the product in a humid environment (such as in the bathroom or shower room or swimming pool).
4. Before connecting the product to the power supply, check the product voltage and supply voltage are the same.
5. If the plug, power cord or product itself is damaged, do not use this product.
6. In order to prevent the risk of electric shock, do not open the product outer casing.

-
7. Product is not intended by the physical sound, sensory or mental impairment (including children), unless there is supervision or guidance of the people responsible for their safety when they use the product.
 8. If the product or the power cord is damaged, in order to avoid danger, do not try to repair the product. This must be handled by Seller's full-time specialist / technician, or product quality maintenance guarantee will be void.
 9. Children should not use this product. They should be under supervision to ensure that they will not treat this product as a toy.
 10. If unusual sound or noise is being heard from the product, turn off the product and immediately disconnect the power connection. Please contact authorized Service center.
 11. Do not use the product if cover is damaged or if there is a mechanical or electronic failure. You should contact the authorized Service center.
 12. Only place the product in accordance with the instructions in this user manual.
 13. Do not use this product in humid conditions and high temperatures or beside hot objects (such as heaters, stoves.
 14. Do not apply medical or cosmetic creams on the product or on your back before using this product.
 15. Do not shake or drop this product.
 16. Do not destroy, bend, stretch, twist or tie the power cord. Damaged power cord can cause fire or electric shock.
 17. If the supply cord is damaged, it must be replaced by a special cord or assembly available from the manufacturer or its service agent.

02 CHAIR COMPONENTS



1 Pillow Pad

3 Backrest

5 Controller

7 Side Panel

2 Shoulder

4 Armrest

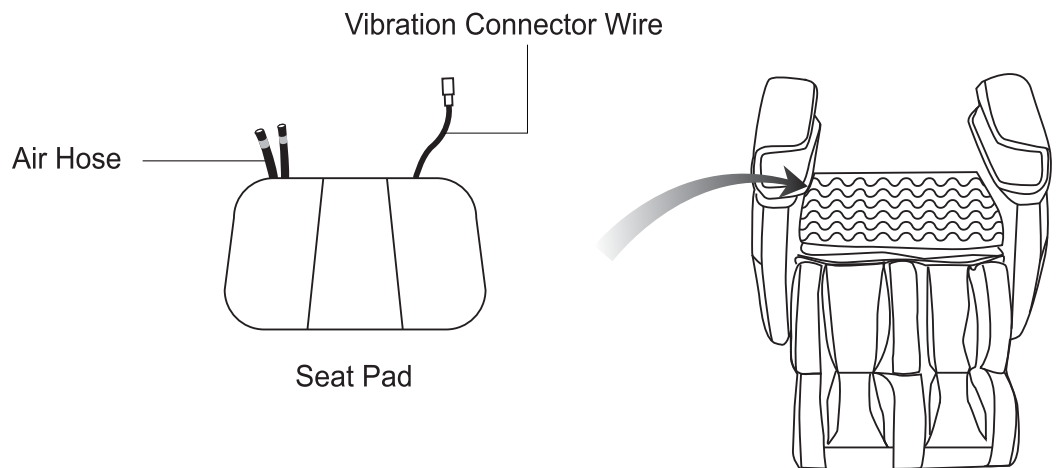
6 Seat Pad

8 Footrest

03 CHAIR INSTALLATION

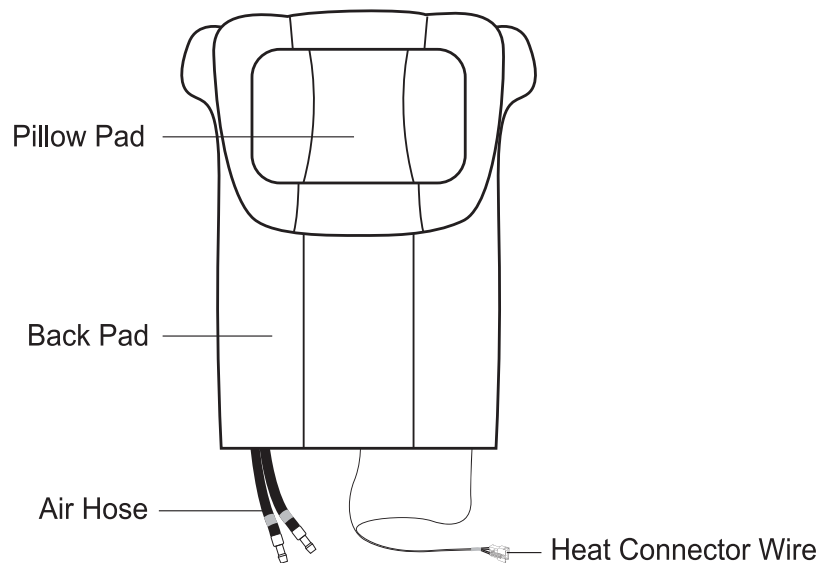
Step 1: Install the seat pad

Attach the seat pad with the seat corresponding to the Velcro, then connect the air hose and the vibration connector wire.



Step 2:

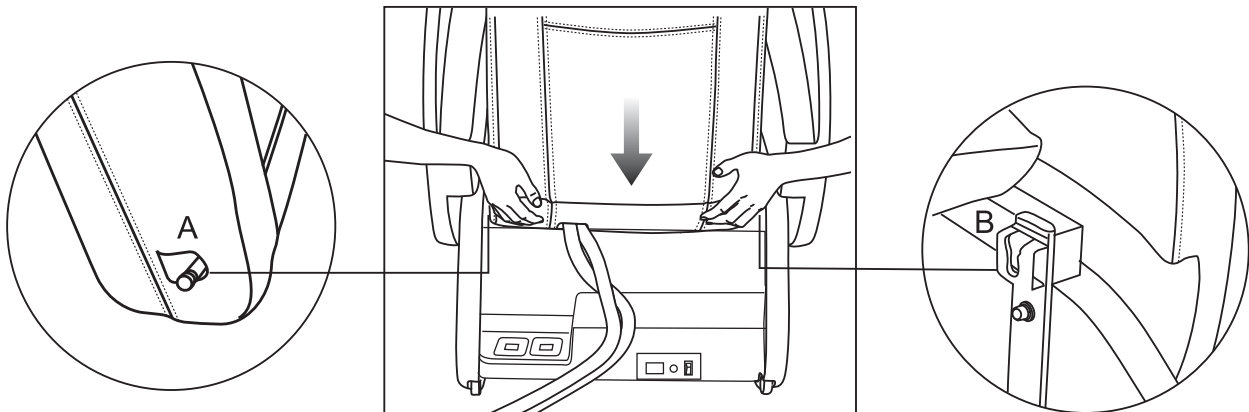
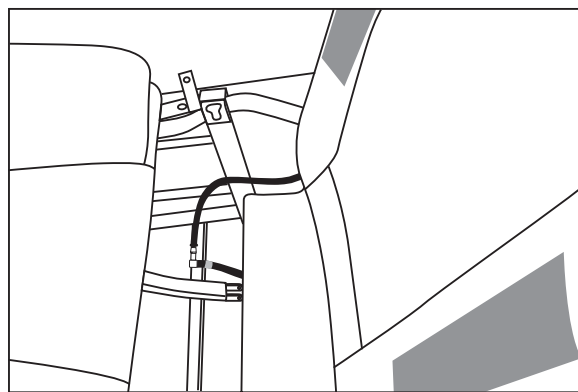
Connect the air hose and the heat connector wire accordingly, then attach the back pad with the seat pad corresponding to the zipper.



Step 3: Install backrest

Lift the backrest and find the air hose at the bottom of the backrest, and connect the air hose with the air connector (corresponding to the color) underneath the seat part.

Lower the backrest into the seat brackets, adjust the backrest to approximate vertical and slightly swaying back and forth, securely lock the flat head bolts (A) into both sides(B) of the seat.



A. Flat Head Bolt (on the backrest)

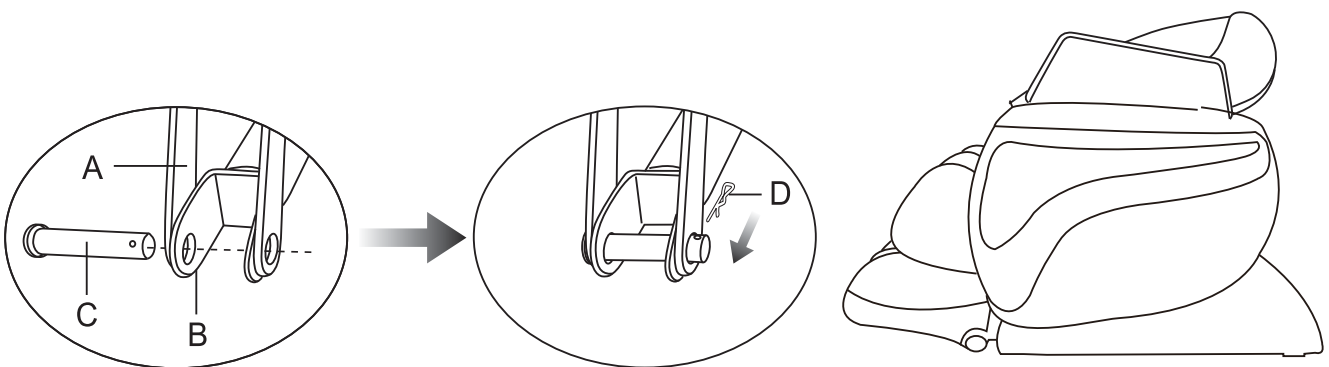
B. Holder (on the seat part)

Note: Carefully unwrap the armrest to avoid scratching during installation.

Step 4:

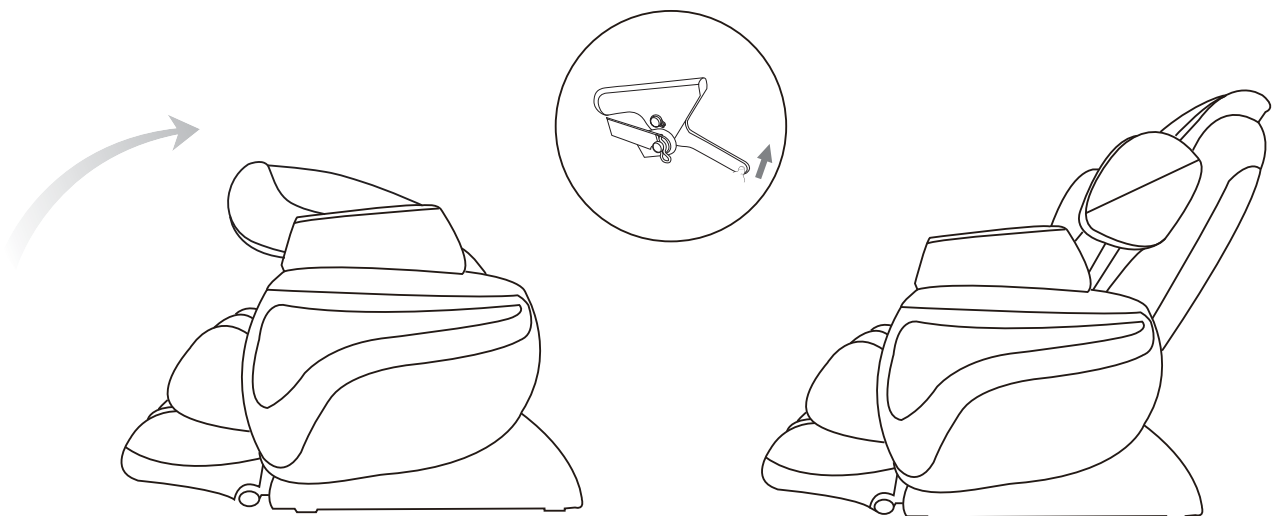
Attach the connecting rod (A) and the U stay fork of the reclining actuator (B) with a flat head rivet (C), and secure with a split pin (D) as demonstrated.

- A. Connecting rod (on the backrest)
- B. U stay fork of reclining actuator (on the seat)
- C. Flat head rivet
- D. Split pin



Step 5:

Unfold the backrest until you hear a “click” sound.

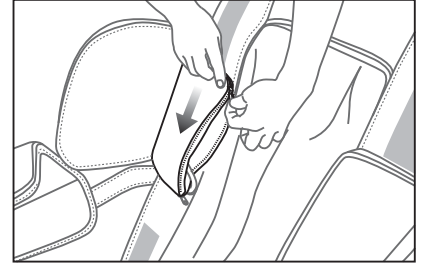
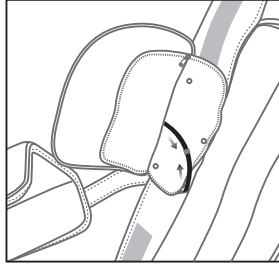
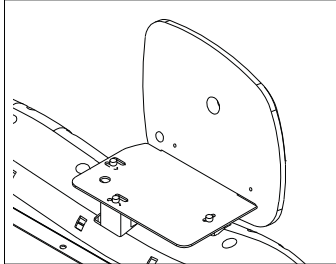
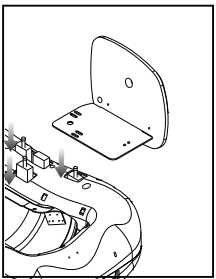


Step 6:

Install shoulder panels

Attach closely the shoulder panel to the 3 screws which were preassembled onto the base plate. Pull the shoulder panel make the holes embedded to the three screws. Then tighten the nuts which were preassembled on the three screws. Connect air hose from shoulder panel to backrest, and zip the shoulder leather.

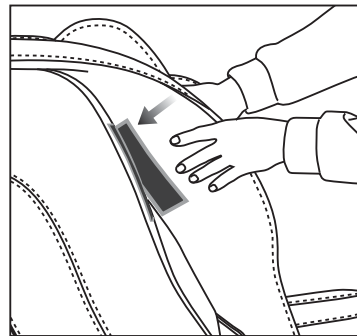
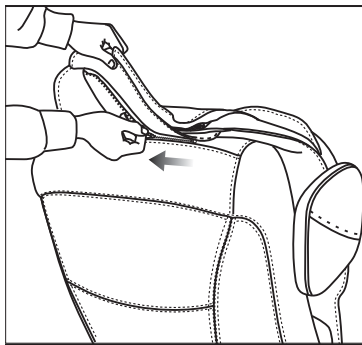
NOTE: Repeat above steps for another side.



Step 7:

Attach the backrest pad and the backrest with the zipper.

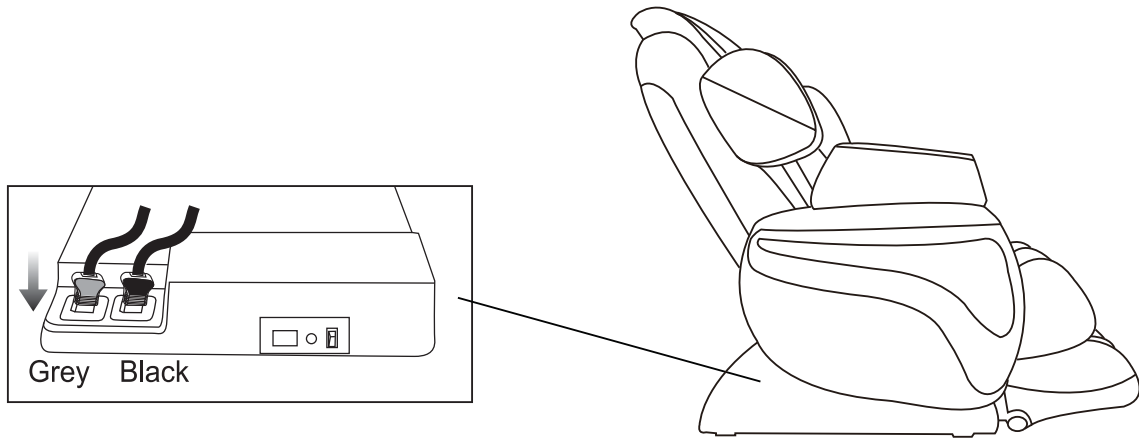
Note: Make sure the backrest pad and the Velcro on the backrest are corresponding neat.



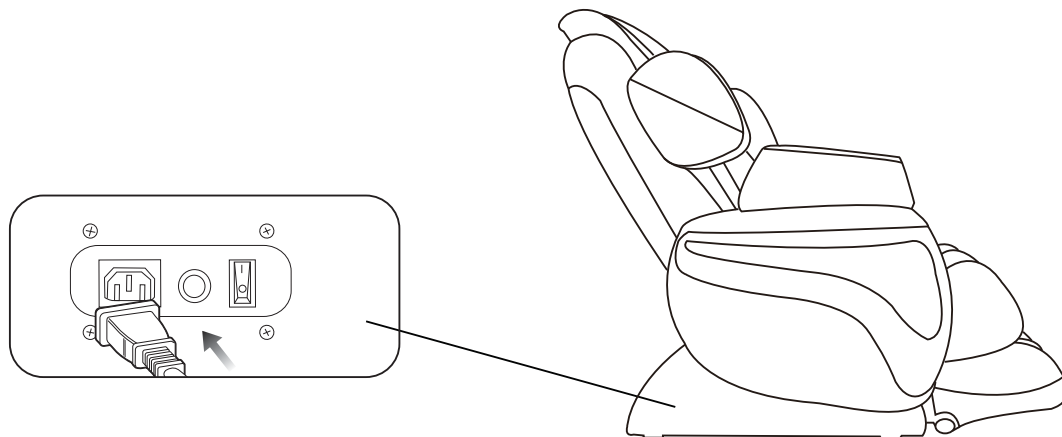
Step 8:

Insert the wire plugs to the chair as demonstrated.

Note: Insert black to black and grey to grey, otherwise damage to the chair may happen.

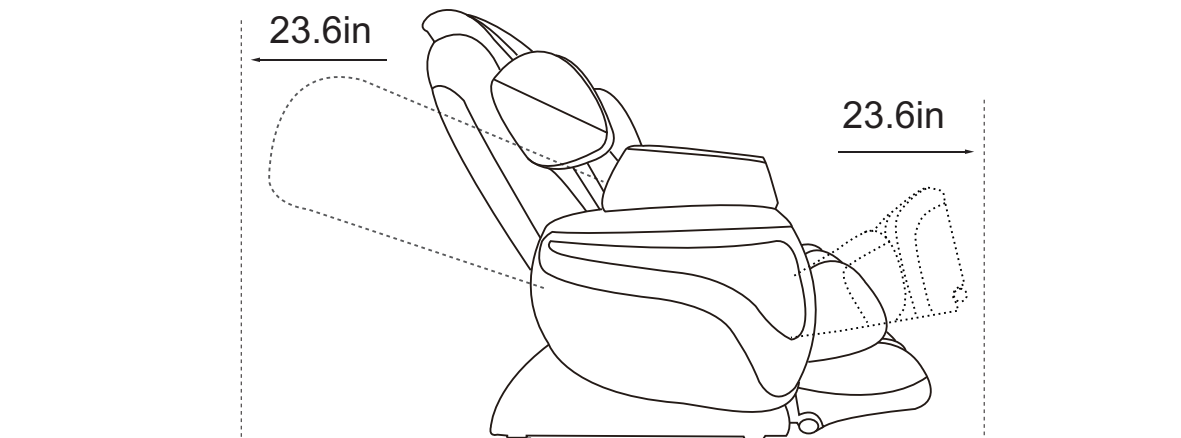


Step 9: Connect the wire plugs.



MOVING THE CHAIR

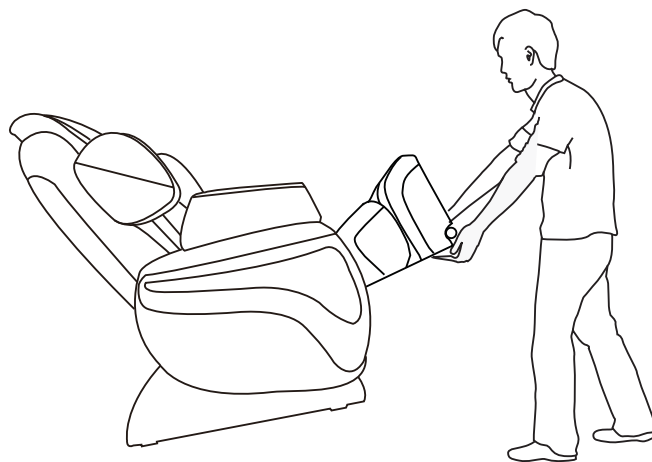
Ensure sufficient space around chair, please leave _____ of space behind the backrest and 23.6in of space at the front of the massage chair when reclining backrest and elevating leg rest.



1. Lift up the leg rest.
2. Recline the chair to approximately 45 degrees.
3. Move the chair around the house with a slight pull and push.

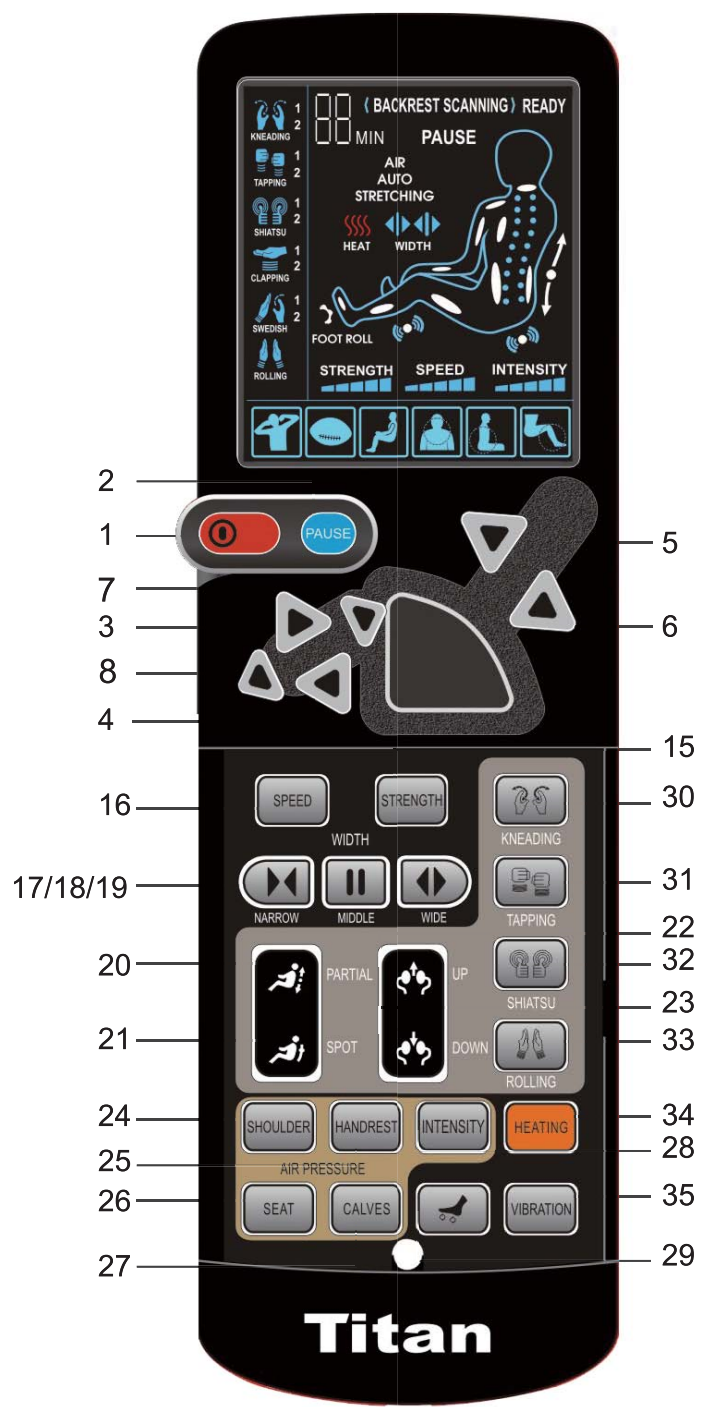
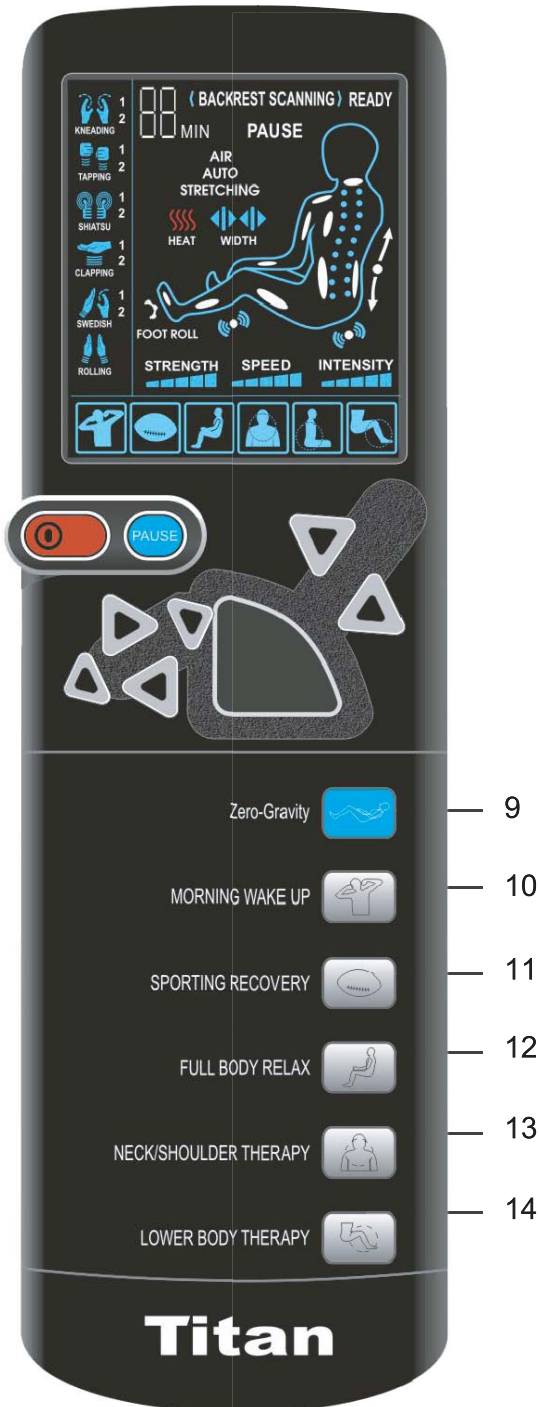
Caution:

- Before moving the chair, adjust the leg rest back into its original position.
- Do not move the massage chair when there is someone seated on it.
- Place a mat underneath the massage chair before moving to protect the floor from scratches.



04

FUNCTION DESCRIPTIONS



1. ON/OFF

The Start/Stop Control Button

- Press once on this button to start the massage chair, the backrest is reclined and the footrest is elevated automatically to the specified position, and then press any massage function button to conduct massage functions.
- Press this button again to stop all massage functions and the massage rollers will return to original position.

2. Pause

The Pause Button

- When the chair is in massage mode and user wants to temporarily pause it, press this button and all massage function will stop.
- Press the Pause button again to resume the original massage function.

3/4. Raise Legrest/Recline Legrest

Angle Adjustment Control Button for Legrest

- These two control buttons can adjust massage angle on the Legrest.
- You may adjust the position by holding the Raise Legrest or Recline Legrest control button until the legrest is at your desired angle, releasing the button to confirm the massage angle.

5/6. Raise Backrest/Recline Backrest

Angle Adjustment Control Button for Backrest

- These two control buttons can adjust the Reclining and Sit Up angle respectively.
- You may adjust the position by hold the Raise Backrest or Recline Backrest control button until chair is at your desired angle, releasing the button to confirm the massage angle.

7/8. Legrest Length Adjustment Button

- These two control buttons can adjust the length of the chair legrest.
- Press the two buttons to lengthen or shorten the chair legrest, and press again to confirm the comfortable position you want.

9. Zero-Gravity

- Press this button to activate the Zero-Gravity 1 function.
- Press this button again to activate the Zero-Gravity 2 function.
- Press the button the third time to stop the Zero-Gravity massage function.

Full Body Auto Program

If either 1 of the 5 Auto Program is activated, the chair will automatically perform a backrest scanning. User can manually adjust the position to the desired comfortable position.

The following are the Auto Programs available:

10. Morning Wakeup

11. Sporting Recovery

12. Full Body Relax

13. Neck/Shoulder Therapy

14. Lower Body Therapy

15. Strength

The Strength Adjustment Button for Kneading Mode

- After activating the Kneading function, every time the button is pressed, the strength can be adjusted in the cycle.

Note: Lowest and medium strength is suitable for most people and is advisable. You can choose the highest strength according to your need.

16. Speed

The Speed Adjustment Button for Tapping and Shiatsu Mode

- After activating the Tapping or Shiatsu function, every time the button is pressed, the speed can be adjusted in the cycle.

17/18/19. Width

Width Adjustment Button for Tapping, Shiatsu and Rolling Function

- After activating the Tapping, Shiatsu and Rolling function, you can adjust the width of the massage rollers to be Narrow/Medium/Wide according to your need.

20. Partial

Partial Back Massage

- This button allows user to select Partial massage for any part on the back by pressing the button as user's desired position.
- Press this button once, the massage rollers run at the original position in original massage mode.
- Meanwhile, massage rollers take the original position as the centre to perform Partial Massage with the width of approx. 3.1in within movement range of rollers.
- Press again to stop partial massage function and resume full back massage function.

21. Spot

Spot Back Massage

- This button allows user to select Spot massage for any part on the back by pressing the button as user's desired position.
- Press this button once, the massage rollers run at the original position in original massage mode.
- Press again to cease Spot massage function and resume full back massage function.

Note: The Spot massage can not be operable during rolling function.

22/23. Upward/Downward

Position Adjustment Button for Spot or Partial Massage

- After activating Spot or Partial Massage, continue to press the buttons in succession to move the massage rollers. The massage rollers will go upwards or downwards until the desired position.
- The original position of the Spot or Partial massage will be shifted to the new position. Release the button once the desired position is achieved.

24. Shoulder

Shoulder Air pressure Start/Stop Control Button - 5 levels of intensity to be adjusted

- Press once to activate Shoulder air pressure massage mode to enjoy rhythmic air pressure massage at the shoulders.
- Press again to stop the function.

25. Handrest

Handrest Air pressure Start/Stop Control Button - 5 levels of intensity to be adjusted

- Press once to activate Handrest air pressure massage mode to enjoy rhythmic air pressure massage at the hand.
- Press again to stop the function.

26. Seat

Seat & Waist Air pressure Start/Stop Control Button - 5 levels of intensity to be adjusted

- Press once to activate Seat & Waist air pressure massage mode to enjoy rhythmic air pressure massage at the seat and waist.
- Press again to stop the function.

27. Calves

Calves Air pressure Start/Stop Control Button - 5 levels of intensity to be adjusted

- Press once to activate Calves air pressure massage mode to enjoy rhythmic air pressure massage at the calves.
- Press again to stop the function.

28. Air Intensity

This button allows you to adjust the air pressure intensity level for the auto and manual air massage programs.

- Press to select between 5 levels of intensity.

29. Foot roller

This button allows you to activate the rolling massage mode at your feet. Press once to start, press again to stop.

30. Kneading

Kneading Function Start/Stop Control Button- 5 levels of strength

- There are two kinds of Kneading mode for the massage chair.
- Press once to activate full back massage of Kneading mode 1.
- Press again to change the kneading motor to the reversal massage Mode 2.
- Press this button once more to stop the Kneading function.
- Also the Kneading strength can be adjusted by pressing “Strength” button after activating Kneading function.

Note: Kneading function can be combined with Tapping or Shiatsu function.

31. Tapping

Tapping Function Start/Stop Control Button- 3 sizes of width and 5 levels of speed

- There are two kinds of Tapping mode for the massage chair.
- Press once to activate the Tapping function Mode 1 for a continuous full back massage.
- Press again to enter into message Mode 2 for an interval Tapping massage.
- Press this button once more to stop the Tapping massage function.
- Also the Tapping width and speed can be adjusted by pressing “Width” and “Speed” button respectively after activating Tapping function.

Note: Tapping function can be combined with Kneading function.

32. Shiatsu

Shiatsu Function Start/Stop Control Button-3 sizes of width, 5 levels of speed

- There are two kinds of Shiatsu mode for the massage chair.
- Press once to activate the Shiatsu function Mode 1 for a continuous full back massage.
- Press again to enter into message Mode 2 for an interval Shiatsu massage.
- Press this button once more to stop the Shiatsu massage function.
- Also the Shiatsu width and speed can be adjusted by pressing “Width” and “Speed” button respectively after activating Shiatsu function.

Note: Shiatsu function can be combined with Kneading function.

33. Rolling

Rolling Function Start/Stop Control Button-3 sizes of width

- Press once to activate the Rolling function for full back massage.
- Press this button again to stop the Rolling massage function.
- Also the rolling width can be adjusted by pressing “Width” button after activating rolling function.

34. Heating

Heating function Control Button for the waist

- Press this button to activate the Heating function for the waist.
- Press again to stop the function.

35. Vibration

Seat Vibration Start/Stop Control Button

- Press once to activate the vibration function at the seat area.
- Press again to stop the vibration function.

Finishing Operation

Press the ON/OFF button to stop the massage operation. Massage Rollers will resume to its originally specified position, then switch the power button under the chair to “O” position and disconnect the power cord plug from the electrical outlet.

PRODUCT SPECIFICATIONS

Description	Specifications
Product Name	ZERO GRAVITY MASSAGE CHAIR
Product Model	TI-8700
Power source	110-120V~
Alternating current	50/60 Hz
Power consumption	210 W
Timer	15 minutes
Max Time Rate	15 minutes
Dimension(L x W x H)	Upright: 56.7"x29.9"x47.6"
	Recline: 70.9"x29.9"x35.0"
Weight	Gross weight: 231.5lbs
	Net weight: 205.0lbs
Length of the wire	Remote controller wire: 59"
	Power supply wire: 71"
Usage condition	Environment temperture: 10°C - 40°C
Storage condition	Contrasting humidity: 30-85RH
	Storage temperture: 20°C - 60°C
Safety feature	Equipped with overheated and power surge safety protection
Using benefits	Increase blood circulation Relieve muscular fatigue

06 TROUBLE SHOOTING

This chapter summarizes the most common problems you could encounter with the massage chair. If you are unable to solve the problem with the information below, contact the service center immediately.

If the problem encountered is not listed here, please first try the following steps:

1. Unplug the product for 60 minutes.
2. After 60 minutes, plug in the product again.
3. Turn on the Power Switch.

Problem	Possible Cause	Solution
The massage chair does not work.	The appliance is not plugged in.	Put the main plug in the wall socket. Check if the voltage on the appliance corresponds to the local mains voltage.
	The appliance has just finished its 15 minutes massage and has automatically switched to standby mode.	If you want another massage, press the POWER button again.
	You have used the appliance continuously for 45 minutes, causing the overheat protection to switch off the appliance.	Unplug the appliance and let it cool down for 60 minutes before you use it again.
	An excessive weight has been put on the appliance (e.g. someone has stood on the appliance or a heavy object has been put on top of it).	Unplug the appliance, remove the excessive weight if it is still on the appliance again and switch it on.
The appliance is warm.	You have let the appliance run for more than 45 minutes in a row.	Unplug the appliance and let it cool down. Always unplug the appliance after use.
Sound can be heard during massage.	This sound is caused by the mechanical structure of the appliance.	This sound is normal and does not mean that the appliance is malfunctioning.

07 CARE & MAINTENANCE

Cleaning

Never use scouring pads, abrasive cleaning agents or aggressive liquids such as petrol or acetone to clean the appliance.

Do not immerse the appliance in water.

1. Remove the main plug from the wall socket.
2. Clean the control panel and cords with a dry cloth.
3. Do not use a moist cloth or a cleaning agent.

Storing

1. Disconnect the product from the power source after use.
2. Keep the massage chair away from direct sunlight, high temperature or high humidity.
3. Do not put heavy objects on the product.

If the outer cover is torn or the mechanism is damaged, stop using the appliance and get advice from the service center.

If you have any questions with your massage chair, please do not hesitate to contact the service center.