

Message chair is here



Technique

Position focused massage

Loaded with 5 courses to relax acute stress and sore peculiar to the modern life.

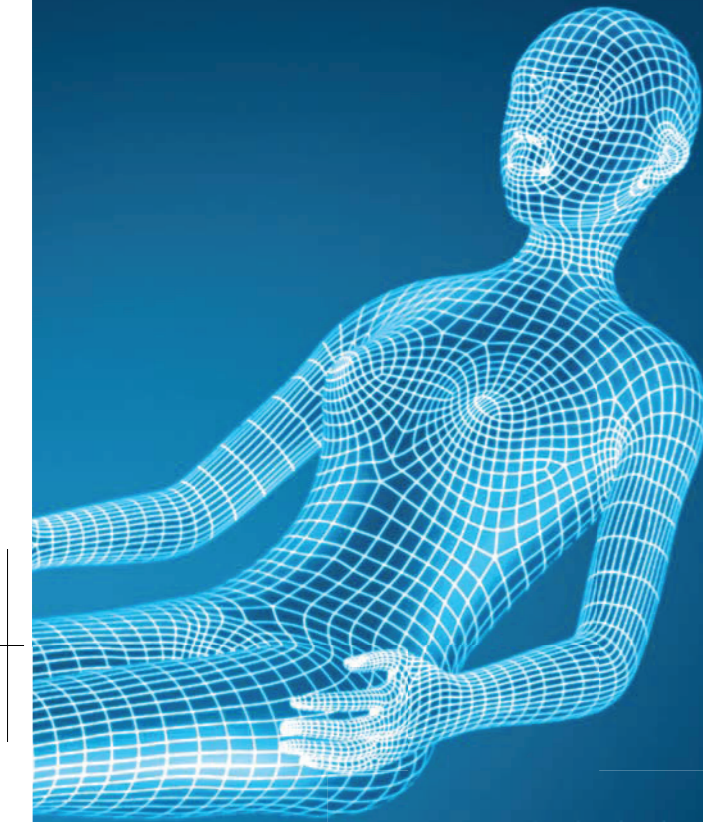
Independent function



Heater

Double heater

Loaded with two heaters to warm shoulder blades which tends to get more stiff and sole of the feet which tends to be chilled.



Air Massage

Triple mode Air system

Industry's largest

Control the speed and quantity of air flow to implement the powerful and delicate air massage.

※Our company reference: Currently Oct/2015

Osaki The pioneers in massage chair innovation!



Osaki - Japan Premium 4S

Specifications

- Main unit dimension (Approx) (During Ottoman receiving)
Width 29.9 x Length 46.5 x Height 48 inches (During maximum usage of Arm/leg)
Width 34.6 x Length 78.7 x Height 27.6 inches
- Minimum width before assembly (Approx): 26.8 inches
- Reclining angle (Approx): 110~157 degrees
- Mass (Approx): 156.5 pounds
- Power: AC100V (50/60Hz) • Consumption Power: 130W (Heater: 40w) (Standby power: 0.3W) • Rated time: 30 Minutes



[Mounting - Installation]

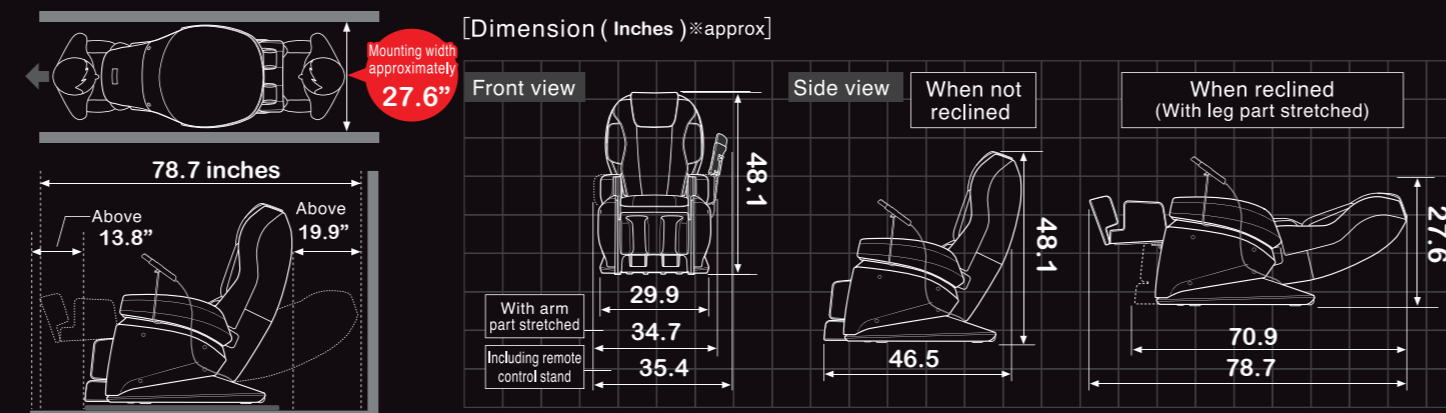
- Mounting width
Mounting width of the main unit It should be above 27 inches (For hygiene purpose) Mounting width approximately 27.6 inches.

• Installation

Provide the space for reclining, install on a horizontal place. More than 13.8" for the foot direction and more than 19.9" for the head direction are required.

[Accessories]

Detachable type back pad/pillow
Can be easily removed and attached respectively.



⚠ Safety warning Please read the "Operation Manual" before use and use this product properly.

- The following persons are strongly recommended not to use this product. Certain physical abnormalities may occur.
- Persons prohibited from receiving a massage by a doctor, for example those suffering from thrombosis, severe aneurysm, acute varicose veins, various kinds of dermatitis and skin infections (including inflammations of subcutaneous tissue), etc.
- The following persons must consult a medical physician before using this product as certain physical abnormalities may occur.
 - Persons using a medical electronic device embedded in the body such as a pacemaker susceptible to electromagnetic disturbances
 - People with malignant tumor
 - People with heart trouble
 - Persons who are pregnant or menstruant, persons thought to be pregnant, or those immediately after childbirth
 - Persons who suffer from paresthesia related to peripheral circulatory disturbance due to diabetes etc.
 - Persons with body temperature exceeding 38°C (when strong acute inflammation symptoms, malaise, chills, blood pressure fluctuations are observed, when debilitated)
 - Persons with wounds in treatment areas
 - Persons who suffer from acute illness (doloric)
 - Persons who suffer from osteoporosis
 - Persons who suffer from spinal column fractures
 - Persons suffering from inflammation such as sprains and muscle strains
 - Persons who suffer from paresthesia
 - Persons with abnormalities in the spine
 - Persons who suffer from anemia
 - Persons who need to massage a part of the body treated medically in the past
 - Persons who need bed rest
 - Persons receiving medical treatment
 - Persons who feel an abnormality on the body apart from these.
- Please do not allow unattended children or persons unable to declare their own intentions to use this chair. Please do not allow infants near the chair.

While using ©The remote control stand can be installed either in the left or right side.

OSAKI MESSAGE CHAIR, LLC

www.osakimassagechair.com T) 888-848-2630

info@osakimassagechair.com

Osaki - Japan

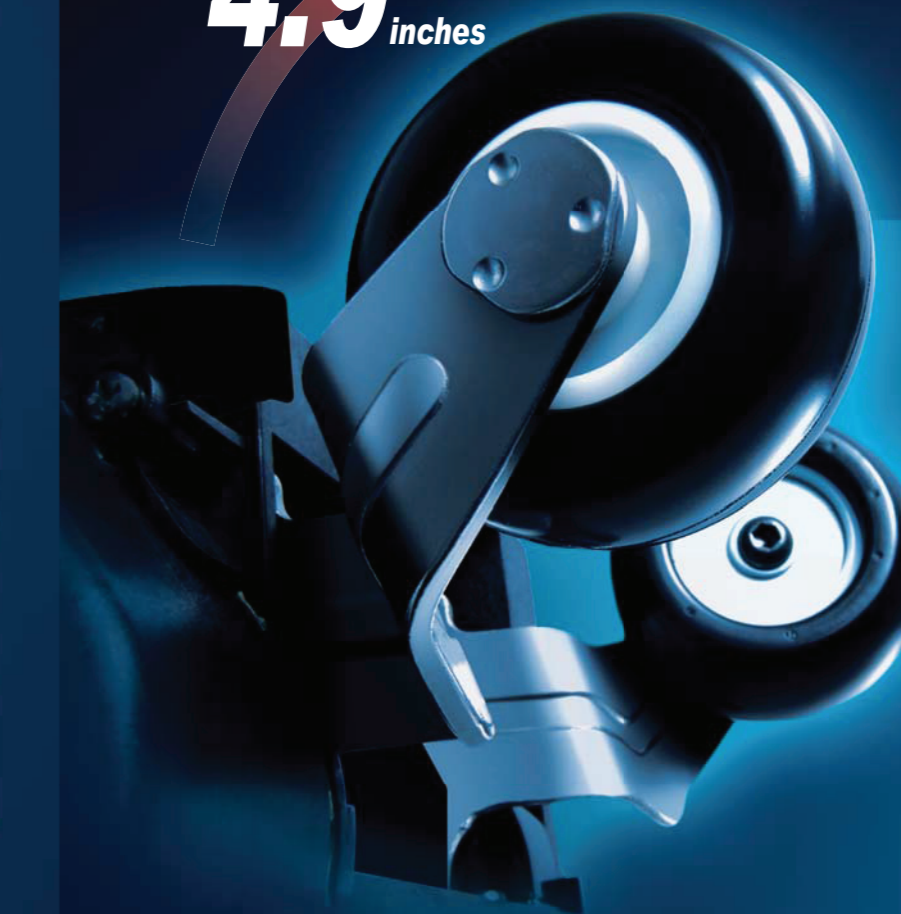
Massage chair Premium 4S
Made in Japan

This is not an evolution.
This is an innovation.



Maximum unleash capacity
Approximately

4.9 inches



The future of mass

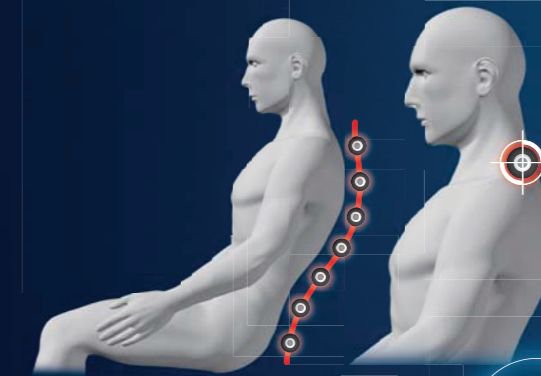
Mechanical Massage

In depth KIWAMI MECHA

Industry's largest

Release your stress with Osaki-Japan Premium 4S's in-depth massage technology. The projection is 4.9 inches, the industry's maximum*.

※Our company reference: Currently Oct/2015



Sensor

Industry's first

Double sensing

Equipped with double sensors, the massage "Depth" and "Point" are optimized.

※Our company reference: Currently Oct/2015

